

FIG. 6
REAR VIEW OF RECEIVER

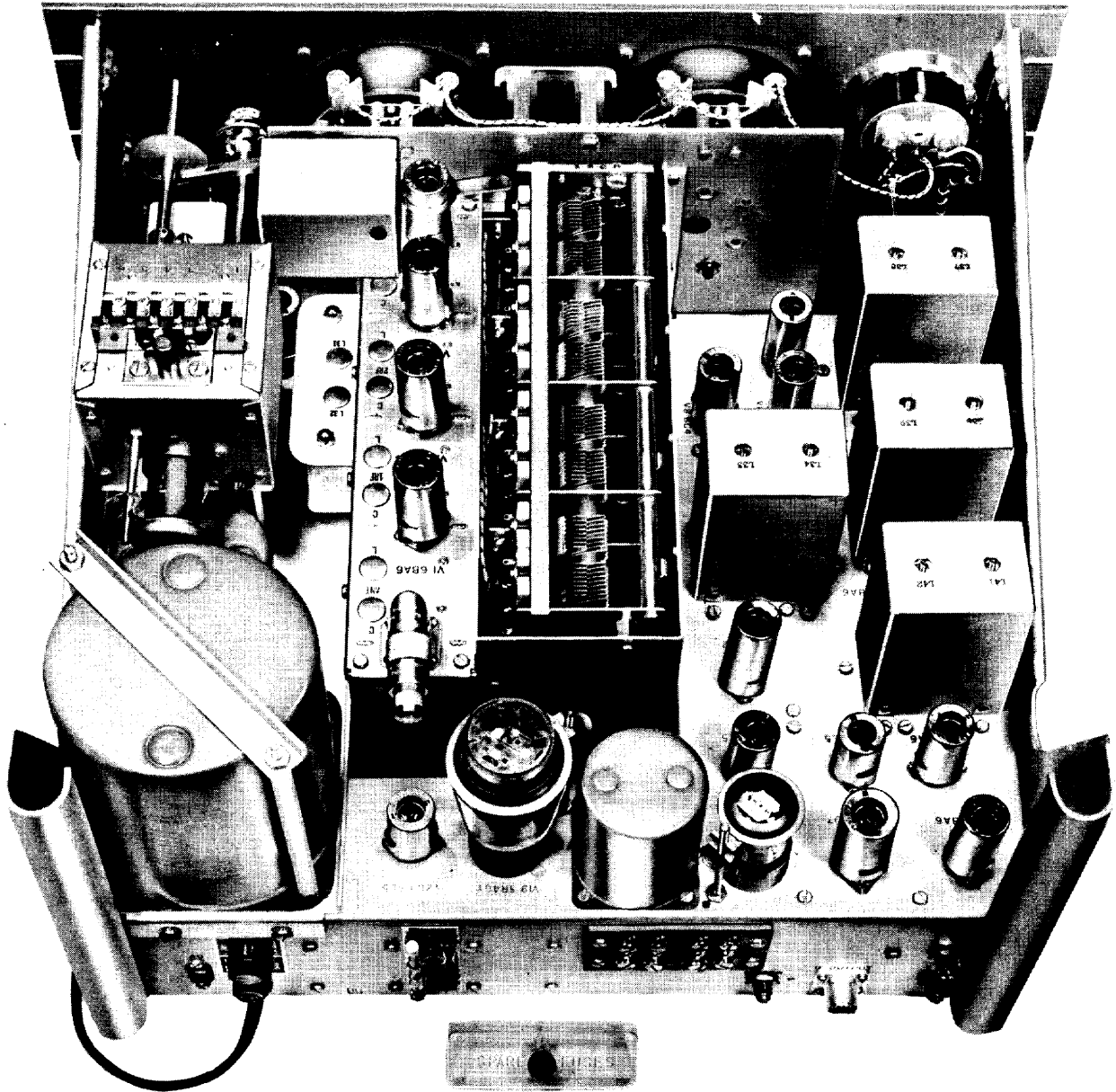


FIG. 8
TOP VIEW OF RECEIVER
CAPACITOR SHIELD AND SPARE FUSE COVER REMOVED

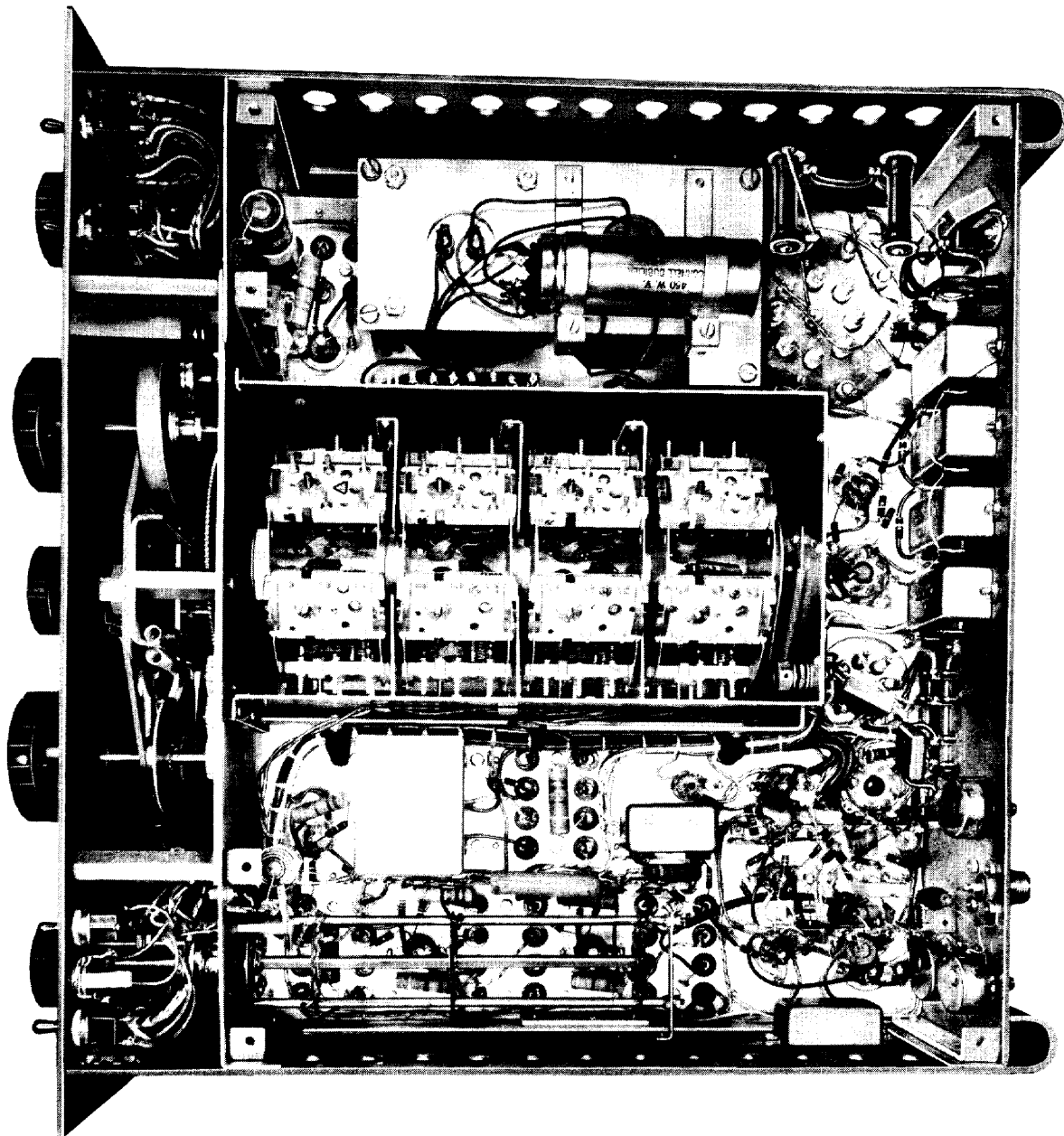


FIG. 9
BOTTOM VIEW OF RECEIVER
TUNING UNIT SHIELD REMOVED

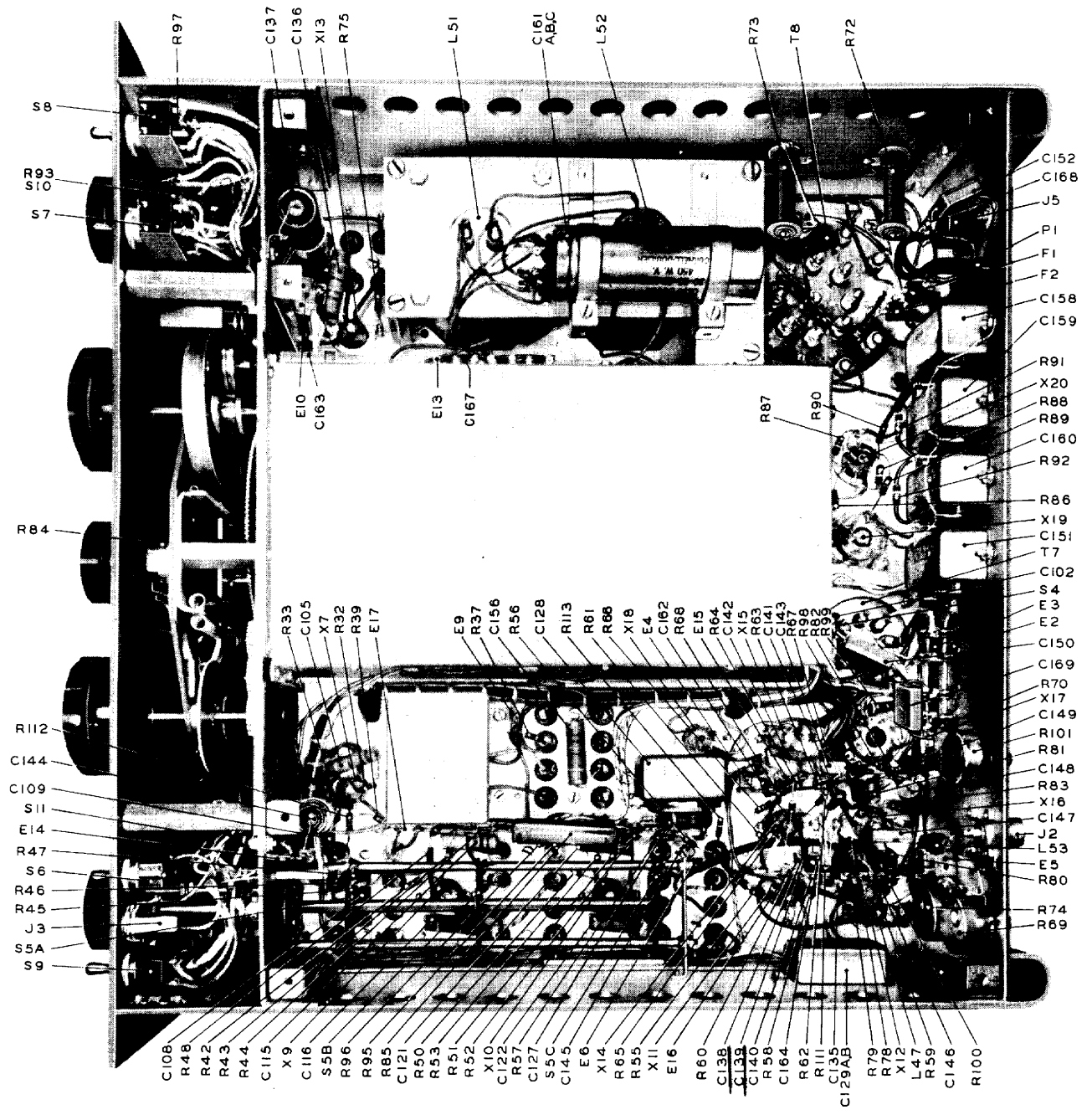


FIG. 10
 BOTTOM VIEW OF RECEIVER SP-600-JX

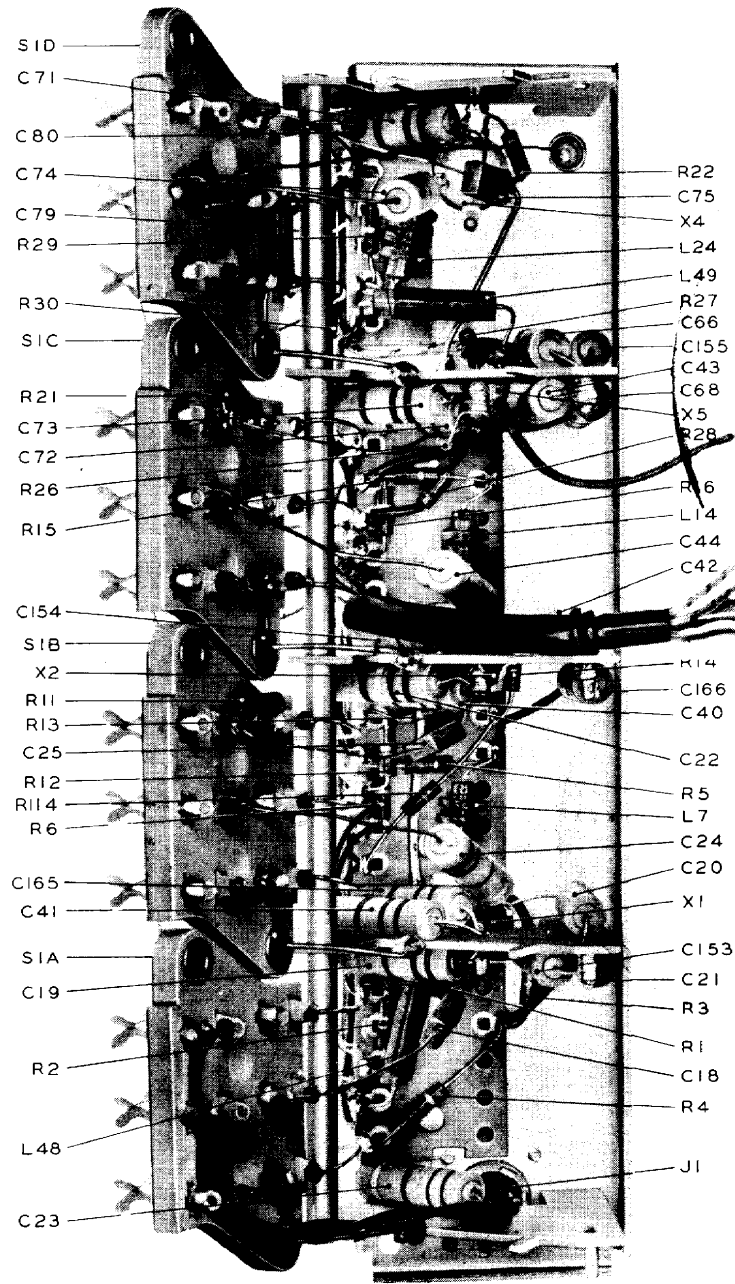


FIG. II
BOTTOM VIEW OF RF PLATFORM

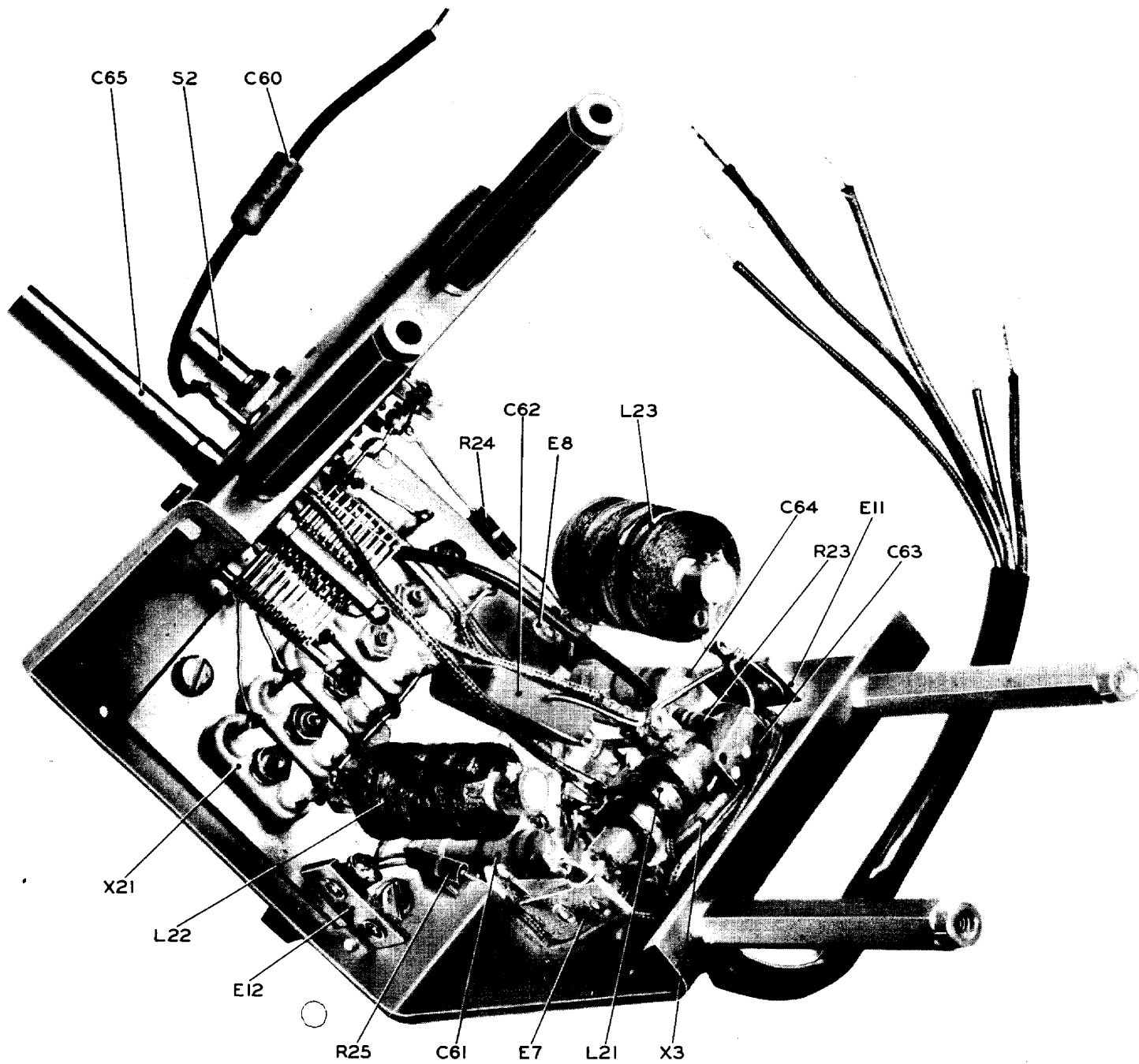


FIG. 12
BOTTOM VIEW OF FREQUENCY CONTROL UNIT